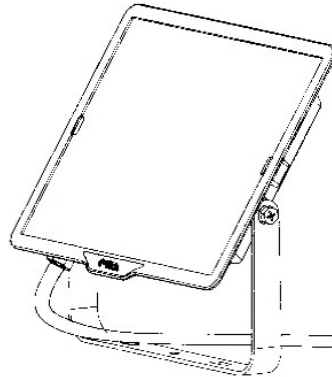
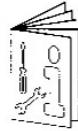




# LED Floodlight



220V  
240V

50Hz  
60Hz



IK06

IP65



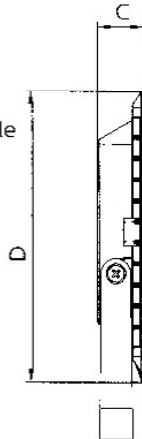
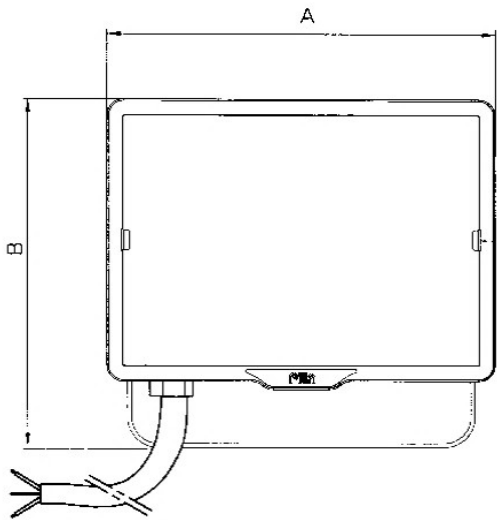
Max. 40 °C  
Min. -20 °C

Ta 25 °C



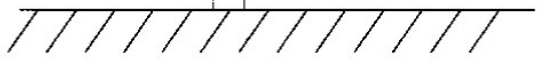
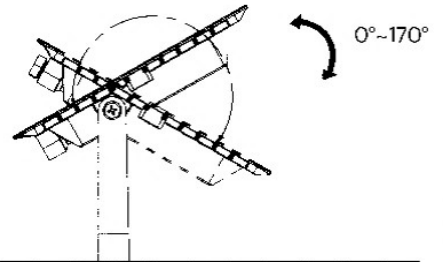
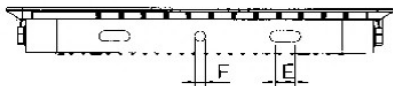
	Flux (lm)	Power (W)	Beam	m <sup>2</sup>	kg
PILA BVP007 10W 4000k	850	10	100°-120°	0.011	0.24
PILA BVP007 20W 4000k	1700	20		0.015	0.32
PILA BVP007 50W 4000k	4250	50		0.029	0.71
PILA BVP007 10W 3000k	850	10		0.011	0.24
PILA BVP007 20W 3000k	1700	20		0.015	0.32
PILA BVP007 50W 3000k	4250	50		0.029	0.71

**Text**



Dimensions in mm			
	10 W	20 W	50 W
A	115	140	200
B	116.5	132.5	181
C	28	28	33.2
D	92	110	145
E	16	20	24
F	4.4	4.4	6.5

The exposed wire length : 10/20/50W 300mm



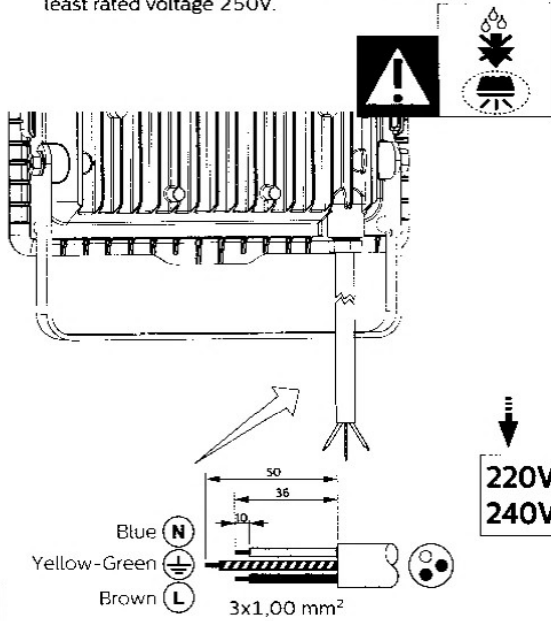


Install the luminaire according to the national regulations.

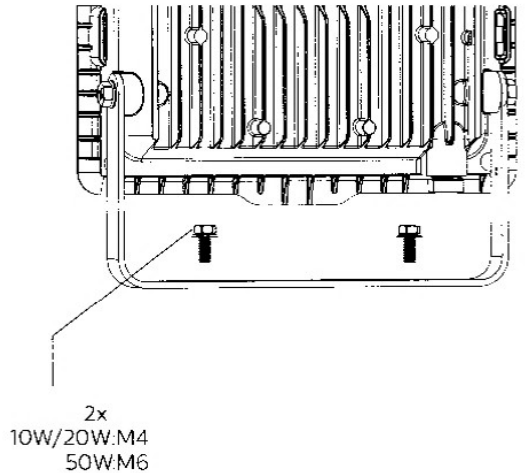
It is recommended to use a supply box with a minimum IP65/67 waterproof, and 3P terminal, the terminal is at least rated voltage 250V.



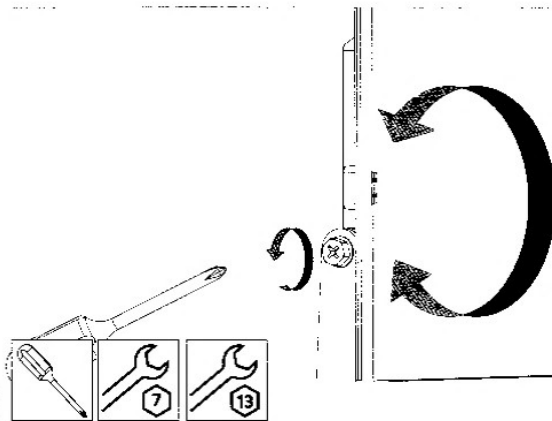
If the luminaire is higher >3 m, the use of 2nd fixing security system is needed.



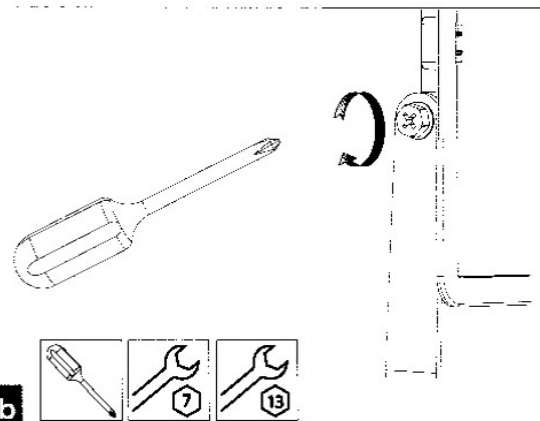
1a



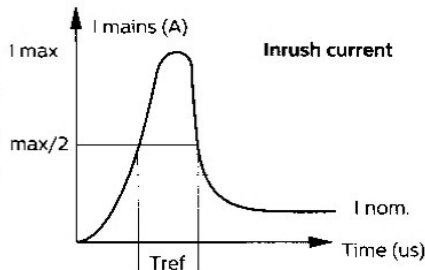
1b



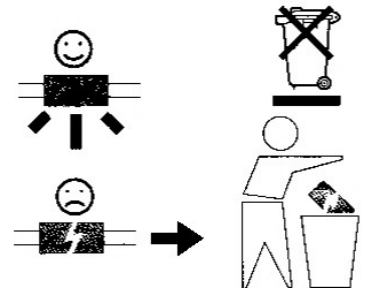
2a



2b



	10W	20W	50W
Electrical characteristics			
$I_{max}$ (A)	0.043	0.085	0.214
$T_{ref}$ (μs)	5.2	8.3	13.2
MCB	Floodlight Max.		
B-10 A	139	70	27
B-16 A	223	112	44
C-10 A	162	82	32
C-16 A	260	131	52



- The luminaire shall be installed or maintained by a qualified electrician and wired in accordance with the latest IEE electrical regulations or the national requirements.
- If the external flexible cable or cord of this luminaire is damaged, it shall be exclusively replaced by the manufacturer or his service agent or a similar qualified person in order to avoid a hazard.
- The light source of this luminaire is not replaceable; when the light source reaches its end of life the whole luminaire shall be replaced.